

LTC 9083/01, LTC 9083/01S,
LTC 9084/01, LTC 9088/01



Security Systems

EN | Instruction Manual
Sunshields

BOSCH

1.0 UNPACKING

This equipment should be unpacked and handled with care. If an item appears to have been damaged in shipment, replace it properly in its carton and notify the shipper.

Check for the following items:

- Verify the unit model number
- Verify that the parts shown in the *Parts List* have been included

If any items are missing, notify your Bosch Security Systems Inc. Sales Representative or Customer Service. The original packing carton is the safest container in which to transport the unit. Save it for possible future use.

1.1 Parts List

Qty	Item
	LTC 9083/01, LTC 9083/01S,
	LTC 9084/01, LTC 9088/01
1	Sunshield
	Hardware Kit (315 3169 003)
2	Screws
2	Washers
2	Bushings

2.0 DESCRIPTION

These sunshields provide protection from the direct rays of the sun and promote cooling to reduce internal housing temperatures.

LTC 9083/01: For use with LTC 9483 Series Housings

LTC 9083/01S: For use with LTC 9480 Series Housings

LTC 9084/01: For use with LTC 9484 Series Housings

LTC 9088/01: For use with LTC 9488 Series Housings

3.0 INSTALLATION

3.1 Installing Sunshield

1. Place the sunshield over the housing and align the screw, washer, and bushing with the threads in the rear cap.

2. Insert the screws into the sunshield and screw them into the rear cap (see *FIGURE 1*).
3. Pivot the sunshield to cover the housing while lining up the top screw with the hole in the housing's front cap (see *FIGURE 2*).
4. The sunshield can then be adjusted forward to obtain additional front coverage.
5. Secure the sunshield by tightening the top and the back two screws.

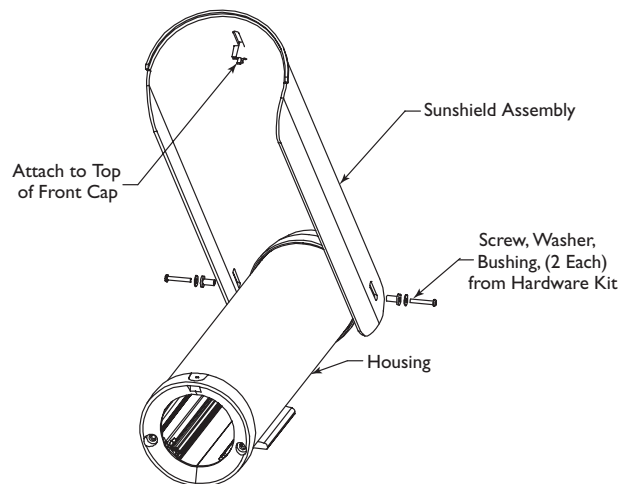


Figure 1: Insert Screws in Sunshield

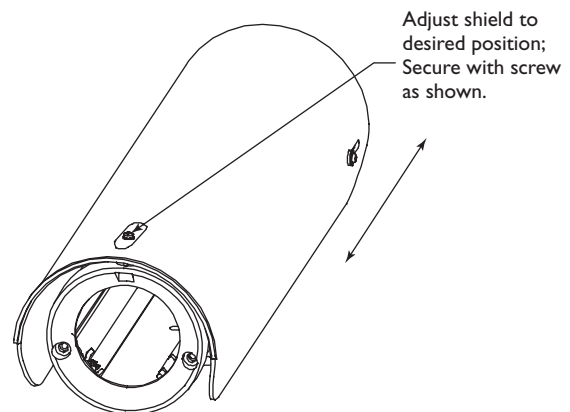


Figure 2: Adjusting and Securing the Sunshield

Americas

Bosch Security Systems
130 Perinton Parkway
Fairport, New York, 14450, USA
Phone: +1 (585) 223 4060
Fax: +1 (585) 223 9180
E-mail:
security.sales@us.bosch.com
www.boschsecurity.us

Europe, Middle East, Africa

Bosch Security Systems B.V.
P.O. Box 80002
5600 JB Eindhoven, The Netherlands
E-mail: ema.securitysystems@bosch.com
http://www.boschsecurity.com

Asia-Pacific

Bosch Security Systems Pte Ltd
38C Jalan Pemimpin
Singapore 577180, Singapore
Phone: +65 319 3488
Fax: +65 319 3499
E-mail:
sg.securitysystems@bosch.com
http://www.boschsecurity.com